

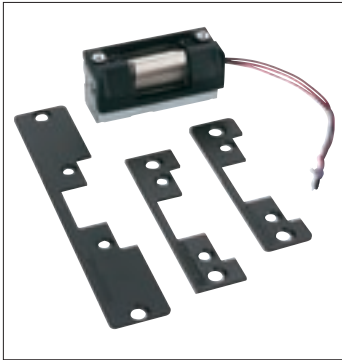
**VON DUPRIN®**

5100 Electric Strike *The industry's most versatile electric strike*



**IR** Security & Safety  
Proven Source. Proven Solutions.™

# VON DUPRIN® The leader in versatility, convenience and durability



Each electric strike kit comes standard with three faceplates, a 12/24 dual-voltage solenoid, fail safe/fail secure selectability and an adjustable keeper.

The Von Duprin 5100 Electric Strike has been designed and manufactured to meet the needs of locksmiths and security professionals. This easy-to-install electric strike was created for medium duty applications, specifically to control traffic flow through interior and exterior openings in retail and commercial environments.

And because it's the Von Duprin brand, you know that you can depend on the product quality and performance.

## VERSATILITY:

Fewer products to inventory and more value for your money.

- Three faceplates included for hollow metal, wood or aluminum frames.
- Internal 12/24 dual-voltage solenoid.
- Adjustable keeper.
- Fail-safe/fail-secure selectability.

## CONVENIENCE:

The right parts in the box means getting the job done right the first time, every time.

- Reduce labor expense.
- Fewer return trips to the job site.
- Reduces SKU's.

## DURABILITY:

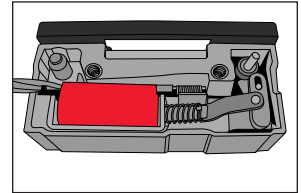
Developed with Von Duprin's high standards and engineering expertise.

- Heavy-duty construction.
- Tamper resistant design.
- Tested to over one million cycles.
- 1300 lbs. holding strength.

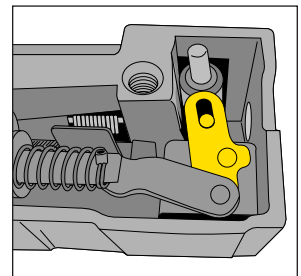
## JOB SITE VERSATILITY.

The Von Duprin 5100 Electric Strike can meet the application needs of six or more competitive models for standard installation, which saves time, money, and labor.

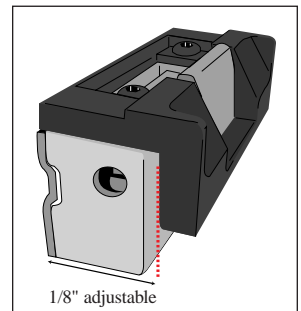
1. The solenoid has four wires, allowing you to configure the strike at the job site so you can use it in either 12 or 24 volt DC applications.



2. The 5100 Electric Strike is easily changeable between fail-safe and fail-secure in the field without the need for additional parts.



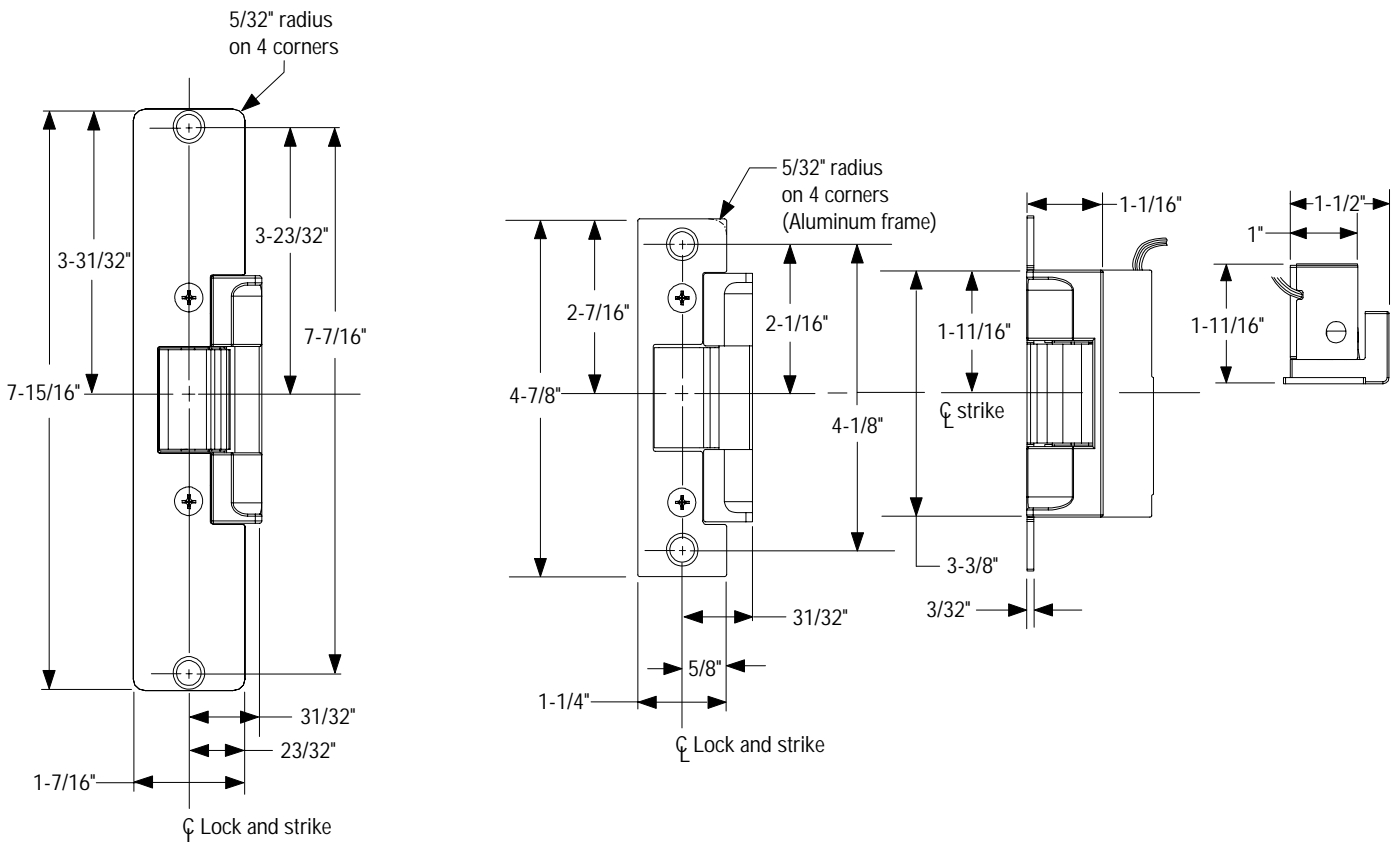
3. The 5100 Electric Strike has a 1/8" horizontally adjustable keeper. This mechanism, which is designated by the dark gray region of the diagram, allows the installer to adjust the strike where a door and frame are not properly aligned or where weather stripping is causing too much pressure on the strike.



## Standard Features

## Benefits

<b>Three faceplates standard in every box</b>	No matter the frame type -- wood, aluminum or hollow metal -- the installer has what's needed in every box to finish the job right -- the first time.
<b>⚡ 12/24 dual-voltage</b>	Easily answers the question of 12 or 24 volts DC.
<b>🔒 Fail-safe/fail-secure</b>	Easily changed in the field in less than thirty seconds. No additional parts are required.
<b>Adjustable keeper</b>	Provides a snug fit and reduces pressure from the door on the strike.
<b>Internal solenoid</b>	Increases the ease of installation where the frame is filled with grout or concrete and must be hollowed-out.
<b>Non-handed</b>	Can be used for doors opening in either direction.
<b>Backbox depth of 1<sup>11</sup>/<sub>16</sub>"</b>	Reduces the need for additional cutting of the frame and other prep work.
<b>Keeper depth of 1/2"</b>	Sufficient to accommodate all cylindrical locks up to 5/8" throw and most aluminum narrow stile deadlatches.
<b>Mounting tabs</b>	For applications where mounting brackets are not provided on the frame.
<b>Retrofit kit</b>	Neoprene filler provides a clean finish.
<b>Illustrated installation instructions</b>	Increases ease of use and installation.
<b>Tamper resistant design</b>	Minimizes unauthorized access.
<b>Warranty</b>	Standard Von Duprin 1 year electrical product warranty.
<b>Continuous duty operation</b>	Solenoid can be continuously powered.
<b>Heavy duty construction</b>	<ul style="list-style-type: none"> <li>• Die cast aluminum backbox offers strong, corrosion resistant design.</li> <li>• Internal steel components are corrosion resistant.</li> <li>• High density steel keeper can withstand over 1300 lb. of force.</li> <li>• Stamped steel faceplates are stronger than aluminum</li> </ul>



# 5100 Electric Strike *The industry's most versatile electric strike.*

## POWER OPTIONS:

DC: Regulated Power Supplies (Recommended)

- Von Duprin PS 861
- Von Duprin PS 873
- Locknetics 505
- Locknetics 510
- Locknetics 515

DC: 24V Unregulated Power Supplies (Acceptable)

- Locknetics 593 PI-24DC (Plug-In)
- Locknetics 592-24RC (Hard-Wired)

AC/DC Conversion:

- Von Duprin SO-24 Kit

## SPECIFICATIONS:

- ANSI/BHMA 156.5 Grade 1
- UL 1034 Burglary Listing

	12VDC	24VDC
Resistance (Ohms)	32	128
Power (watts)	4.5	4.5
Current (amps)	.38	.19

All specs ± 10% @ 77°F/25°C

## STANDARD CONFIGURATION:

- 24 volts DC
- Fail-secure

## DIMENSIONS:

Backbox: 3 $\frac{3}{8}$ " x 1" x 1 $\frac{1}{32}$ "

Overall Strike Depth: 1 $\frac{1}{16}$ "

Faceplates:

4 $\frac{7}{8}$ " round corner ANSI A115.2 standard frame prep

4 $\frac{7}{8}$ " square corner ANSI A115.2 standard frame prep

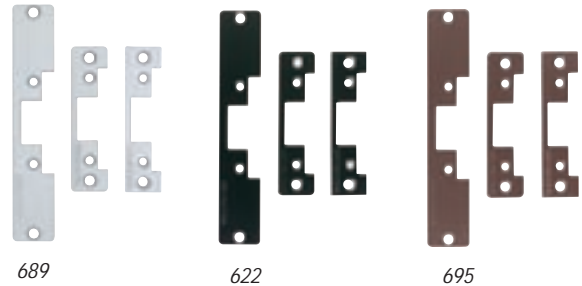
7 $\frac{15}{16}$ " long, round corner wood frame prep

Keeper pocket: 1 $\frac{7}{16}$ "L x  $\frac{1}{2}$ "D x  $\frac{1}{16}$ " -  $\frac{13}{16}$ "W (adjustable)

Lip Attachment cut-out depth: 1 $\frac{1}{16}$ "

## HOW TO ORDER:

- 5100-689 (Aluminum)
- 5100-622 (Black)
- 5100-695 (Dark Brown)



## VON DUPRIN

2720 Tobey Drive,  
Indianapolis, IN 46219  
317-613-8944 phone  
317-613-8302 fax  
www.vonduprin.com  
www.irsecurityandsafety.com

An **IR** Ingersoll-Rand business